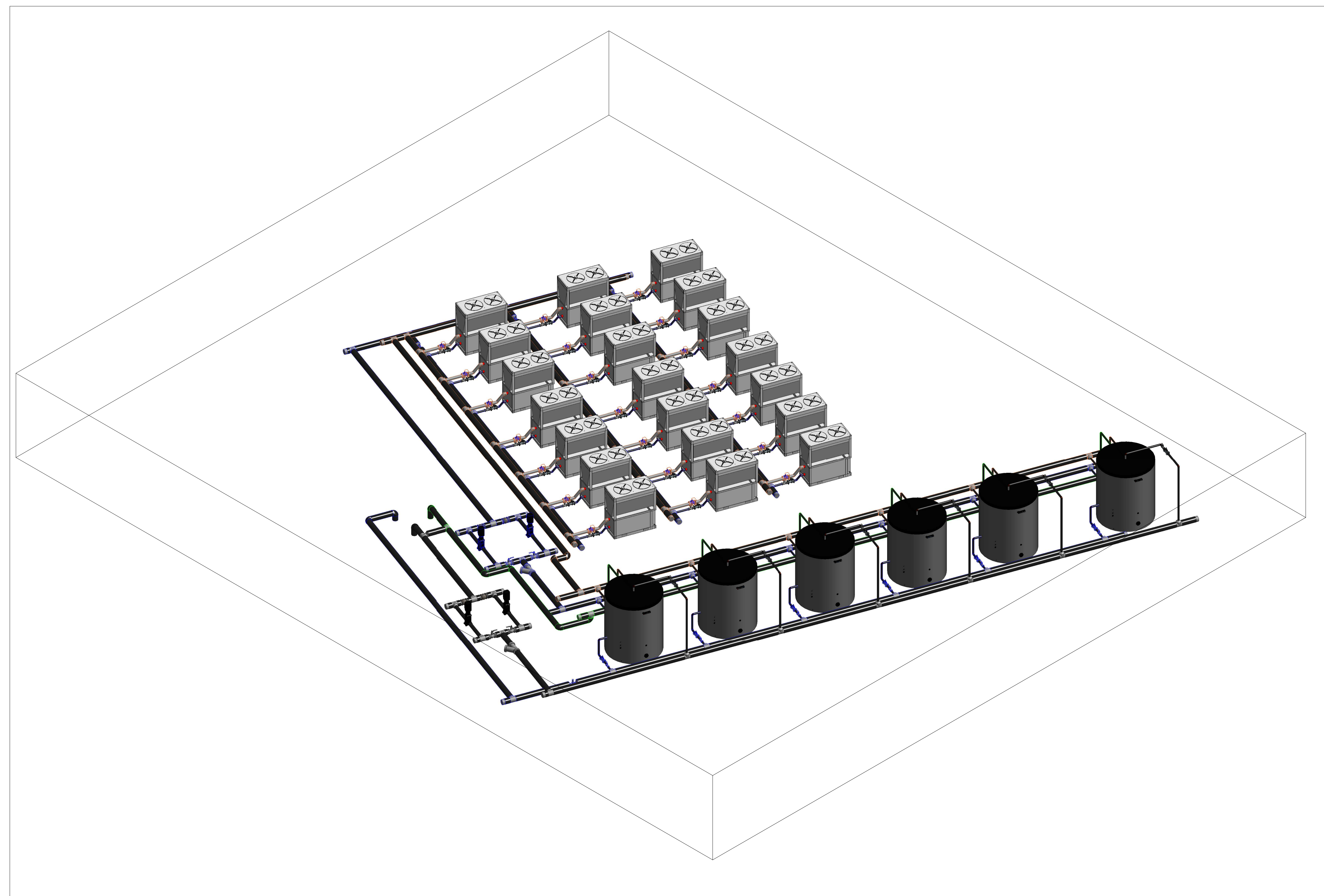
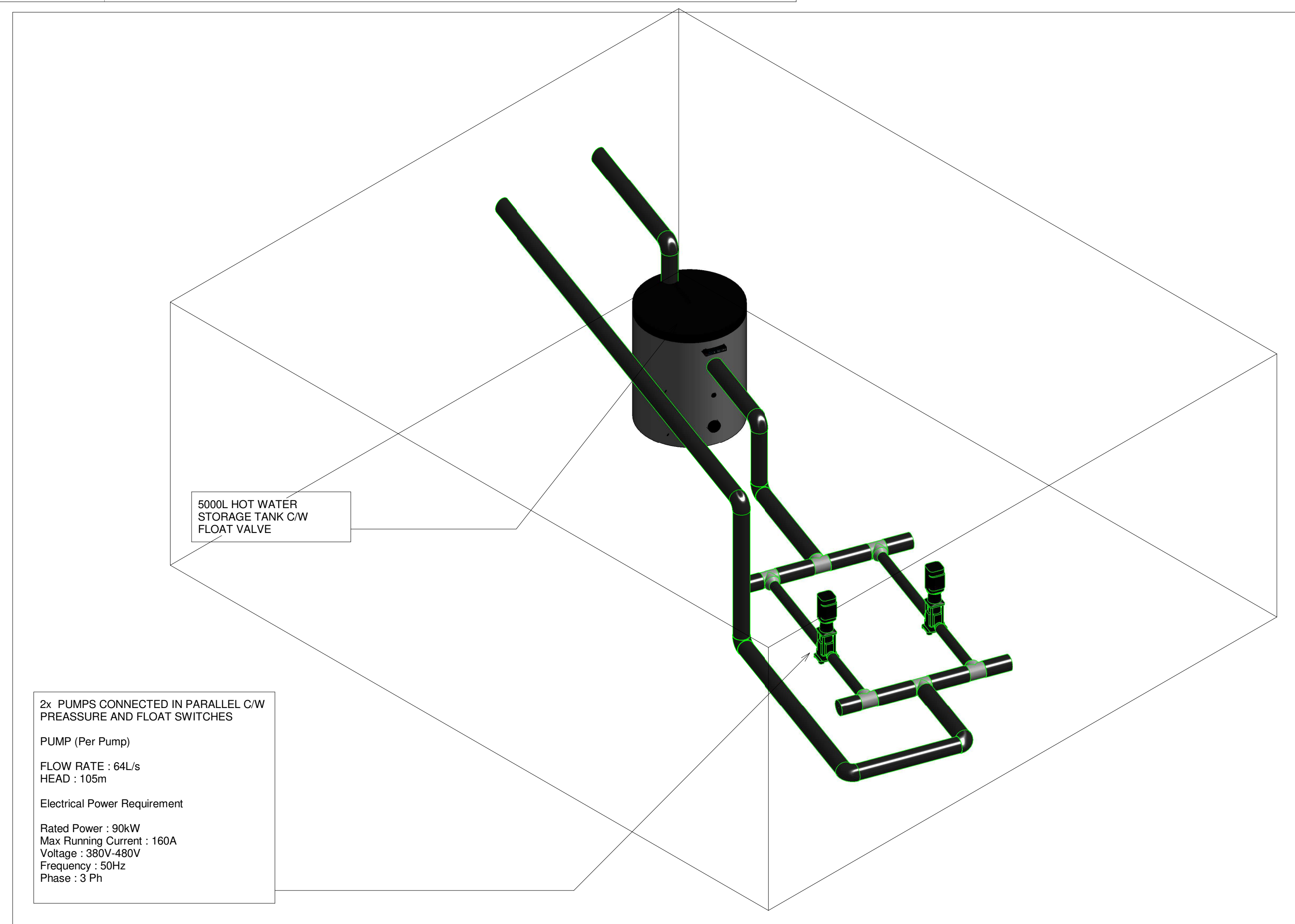


2 3D PLANT M1

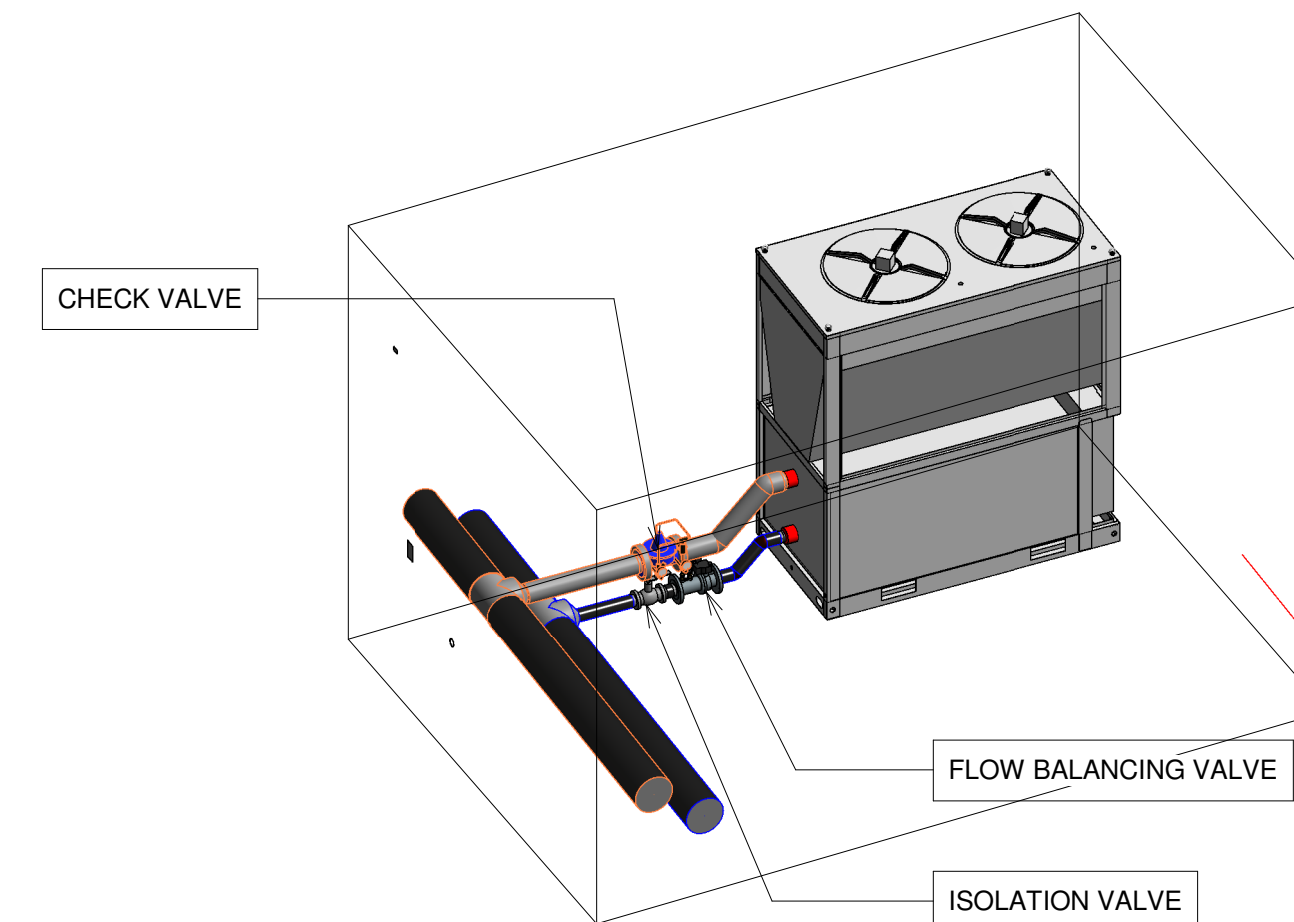


1 Level 2 D1 Ground PLANT ROOM M1 TANKS AND HEAT PUMPS

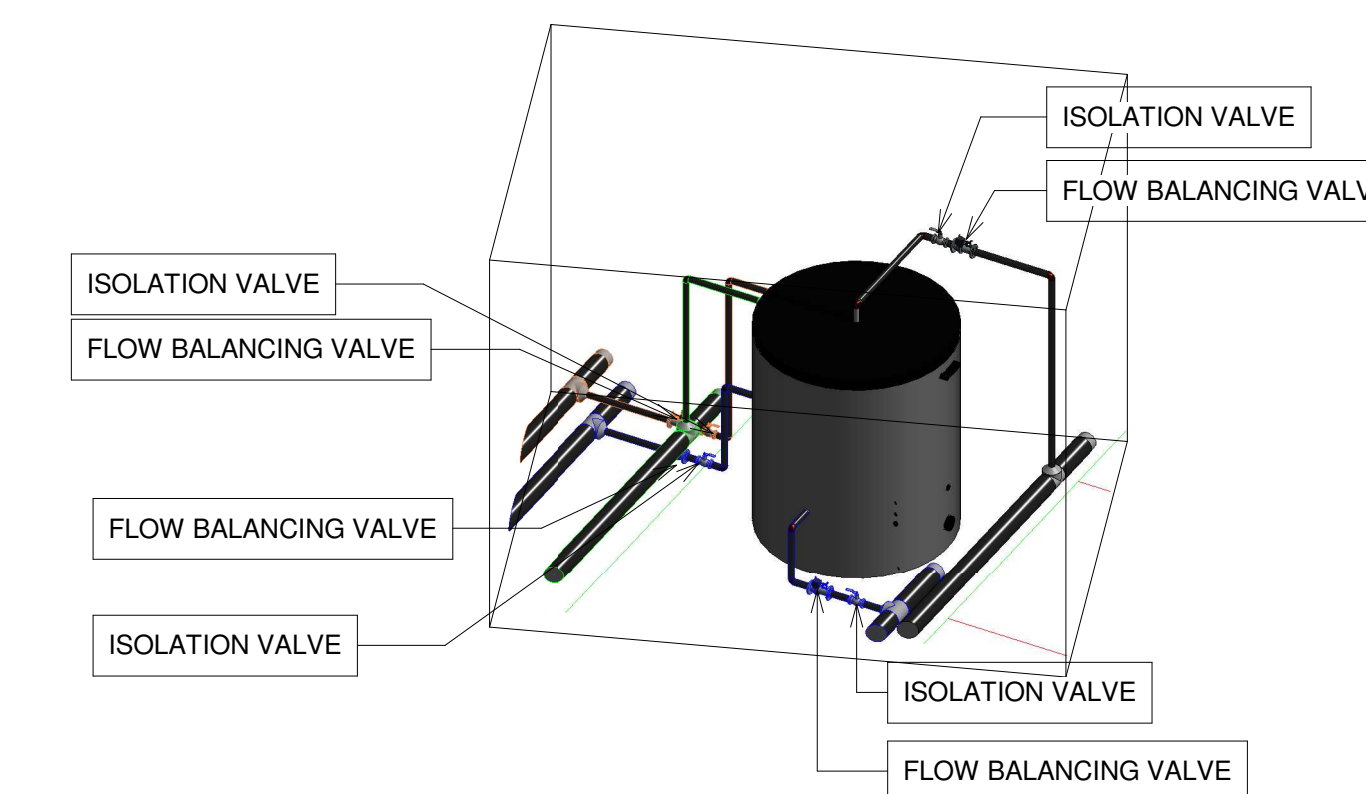


5 3D K4 BUFFER TANK

3 3D HEAT PUMP CONNECTION M1



4 3D HOT WATER TANK CONNECTIONS M1



- GENERAL NOTES**
- THIS DRAWING SHALL BE READ IN CONJUNCTION WITH THE LATEST ARCHITECT DRAWINGS AND MEAN STANDARD TECHNICAL SPECIFICATION.
  - THE COMPLETE INSTALLATION SHALL BE CARRIED OUT IN ACCORDANCE WITH THE LOCAL AUTHORITIES BY LAWS.
  - THE NATIONAL BUILDING REGULATIONS AND TO THE SATISFACTION OF THE ENGINEER.
  - ALL WORK TO BE CARRIED OUT BY OR UNDER THE DIRECT SUPERVISION OF LICENSED PLUMBERS.
  - ALL TESTING OF PIPE WORK TO BE CARRIED OUT IN STAGES AS WORK PROCEEDS.
- WATER SERVICES NOTES**
- UNDER GROUND PIPES TO BE IN HOPE TO SABS CLASS 12 WITH 600MM MINIMUM COVER.
  - CW PIPES IN PARKING BASEMENTS AND FOR ALL CW RISERS BETWEEN FLOORS TO BE IN CARBON STEEL WITH CLAMRON JOINTS FOR 50MM PIPES AND GREATER.
  - ISOLATING VALVES TO BE TO SABS 776 CLASS 8.
  - APPROVED QUARTER TURN BALL VALVES (WITH FULL PIPE SCORE) MAY BE USED. ALL VALVES TO BE 50N TO SABS.
  - ALL PIPE WORK TO BE PRESSURE TESTED IN STAGES AS WORK PROCEEDS. PIPE WORK ON MAINS PRESSURE TO BE TESTED TO 18 BAR.
  - OTHER PIPE WORK TO BE TESTED TO ONE AND A HALF TIMES THE WORKING PRESSURE.
  - AS BUILT WATER SERVICES TO BE MARKED ON DRAWINGS AS WORK PROCEEDS AND THE DRAWINGS SHALL BE SUBMITTED TO THE ENGINEER.
  - ISOLATING VALVES TO BE CLEARLY SHOWN ON DRAWINGS AND LABELLED ON SITE.
  - ALL ISOLATING VALVES SHALL BE POSITIONED IN AN EASILY ACCESSIBLE POSITION.
  - VALVE LABELS TO BE 100MM DIAMETER ENGRAVED TRAPFOLEYE WITH LARGE CP KEY FIND FIXING TO VALVE.

**LEGEND**

SV	ISOLATING VALVE
BV	BALANCING VALVE
NRV	NON RETURN VALVE
WM	WATER METER
PRV	PRESSURE REDUCING VALVE
PU	PUMP
IS	INLINE STRAINER
PRV	PRESSURE RELIEF VALVE
TPRV	TEMPERATURE & PRESSURE RELIEF VALVE
VV	VACUUM RELIEF VALVE

**REVISIONS**

REV	DATE	BY	DESCRIPTION
0	30/08/2021	NR	ISSUED FOR TENDER

**CLIENT**

SABC



**PROJECT**

SABC Electro Boiler Replacement

**DISCIPLINE**

WET SERVICES

**DRAWING DESCRIPTION**

PLANT ROOM M1 HOT WATER GENERATION PLANT LAYOUT

**DESIGNED BY:** N. Ramiah

**REVIEWED BY:** M. Muthu

**APPROVED BY:** P. Eng. S. S. S. S.

**PROJECT NO:** A3281

**DATE:** 30/08/2021

REFERRAL DRAWINGS			
DRAWING DESCRIPTION	DRAWING NO.	REV	REV DATE

**DRAWING NO:** A3281MW-PL-005

**SCALE:** 1:100

**SHEET SIZE:** A0

**REVISION:** D